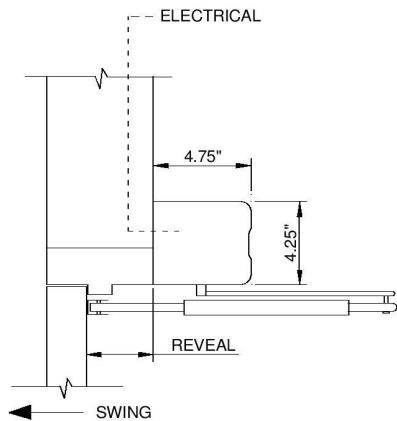


SURFACE MOUNTED HEADER CASE

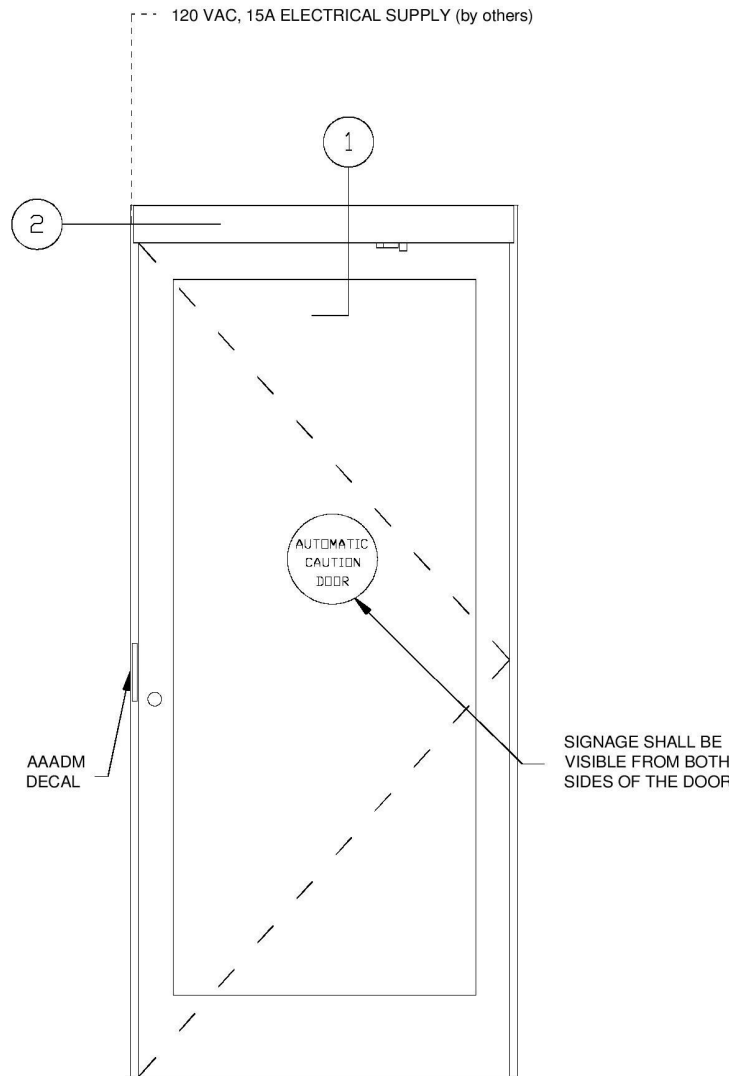
PLAN - LHR
INTERIOR

2 HORIZONTAL SECTION

DOOR OPENING	HEADER LENGTH
36"	39"
42"	45"
44"	47"
48"	51"



1 VERTICAL SECTION



ELEVATION - LHR
INTERIOR

COMMANDER
ADA DOOR OPENER

COMMANDER TO CONSIST OF: (1) ALUMINUM HEADER, (1) BACK-PLATE, (1) MECHANICAL DRIVE SYSTEM & MICRO-PROCESSED CONTROL, (1) PUSH ARM ASSEMBLY, (1) ON, OFF, HOLD OPEN SWITCH

NOTES:

1. MINIMUM DOOR SIZE 36"
2. MAXIMUM DOOR SIZE 48"
3. MAXIMUM REVEAL IS 9". GREATER THAN 9" WILL REQUIRE DOOR ARM EXTENSIONS
4. HEADER IS NOT INTENDED FOR OUTSIDE MOUNT APPLICATIONS
5. INITIAL ACTIVATION BY PUSH PLATE OR SENSOR
6. MAX DOOR WEIGHT FOR A 36" DOOR IS 400 lbs
7. MAX DOOR WEIGHT FOR A 48" DOOR IS 275 lbs
8. COMPLETED INSTALLATION SHALL BE COMPLIANT TO ANSI A156.10
9. STD CONTROL FEATURES: PUSH/PULL ACTIVATION, LOCK TIME DELAY, OPEN HOLD TIME, OPENING SPEED ADJ., CLOSING SPEED ADJ., KEY ACTIVATION, CARD READER INPUT, EMERGENCY STOP INPUT, SENSOR INPUTS FOR SAFETY, STOP, AND ACTIVATION, 24 VDC .5A OUTPUT, OPEN DOOR STATUS SWITCH, CLOSED DOOR STATUS SWITCH

OPTIONS:

1. CLEAR OR DARK BRONZE ANODIZED FINISH
2. PUSH PLATE ACTIVATION: HARD WIRED OR RADIO CONTROLLED (WIRELESS)
3. ELECTRIC STRIKE OR ELECTRICALLY RETRACTED PANIC DEVICE FOR DOORS REQUIRING LATCHING WHEN CLOSED
4. FREE-STANDING BOLLARD FOR PUSH PLATE MOUNTING
5. GUIDE RAIL FOR PUSH PLATE MOUNTING (TYPICALLY MOUNTED AT HINGE JAMB AT PULL SIDE OF DOOR)

ADDITIONAL PERIPHERAL DEVICES

1. EMBEDDED CAMERA SYSTEM: 180 or 360 DEGREE HEMISPHERIC 5 MEGAPIXEL CMOS CAMERA WITH UP TO 256 Gb MICRO SD CAR STORAGE, AUDIO CAPABILITY, AND IP CONNECTIVITY (RJ45) THAT INCLUDES PoE. FREE LIFETIME SOFTWARE INCLUDED.
2. PEOPLE COUNTING SYSTEM: THERMAL IMAGING BI-DIRECTIONAL PEOPLE COUNTING CAMERA SYSTEM WITH IP CONNECTIVITY (RJ-45). SOFTWARE PROVIDES COMPLETE ANALYTICS VIA CUSTOMIZABLE REPORTS.
3. ACCESS CONTROL LOCK HARDWARE: IP BASED PROXIMITY READERS WITH UP TO 64,000 CARD PERMISSIONS. SELF-CONTAINED LOGIC CUSTOMIZABLE VIA NETWORK CONNECTION - NO CONTROLLER REQUIRED.
4. OVERHEAD AIR CURTAIN: DIRECT DRIVE, HEATED OR NON-HEATED, DOWNWARD AIR CURTAIN UP TO 12" WIDE.

EXCLUSIONS:

1. 120 VAC, 15A ELECTRICAL POWER SUPPLY
2. DOORS, FRAMES, AND HARDWARE
3. WALL RE-INFORCEMENT FOR HEADER MOUNT (if required)
4. ALARM HARDWARE & WIRING

Automatic Door and Hardware

www.autodoorandhardware.com
custsvc@autodoorandhardware.com

PROJECT:

CONTRACTOR:

DOOR # (or location):

Commander ADA Door Opener